

AC AXIAL FAN

Ø 254x89mm



ES IP

Housing: Die-Cast Aluminum, Painted Black
 Blade: Injection Molded of Flame Retardant Polycarbonate, Black
 Insulation Resistance: 100MΩ, 500VDC/min between bare wire and frame
 Dielectric Strength: 1500VAC for one minute
 Operation Temperature: -20°C-70°C(Humidity 35%-85%RH)
 Storage Temperature: -40°C-85°C(Humidity 35%-85%RH)
 Motor Protection: Thermal Protected
 Weight: 1600 g

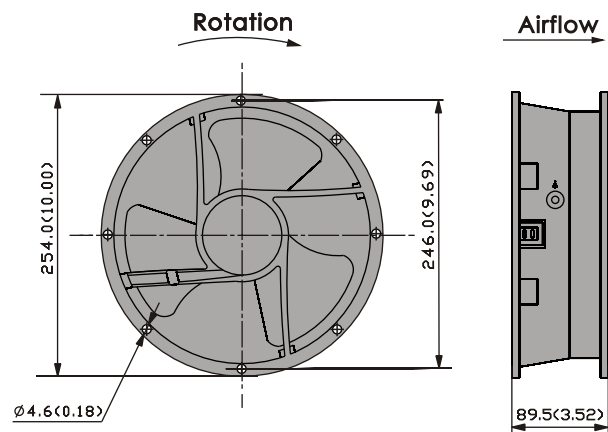
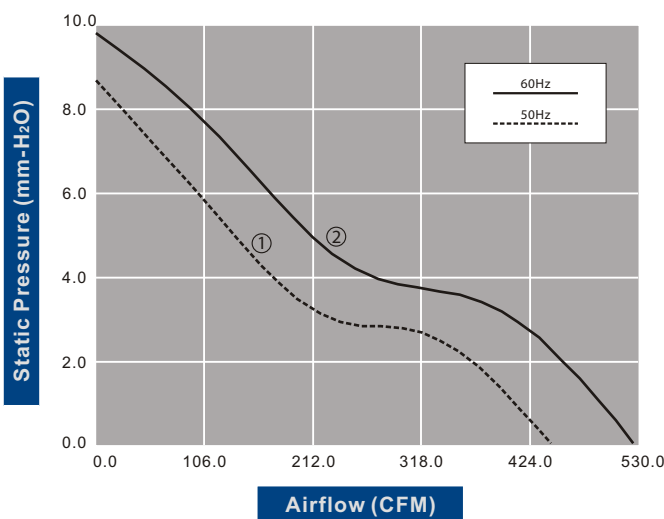
Model Number	Voltage (VAC)	Frequency (Hz)	AirFlow (CFM)	Stat.Pres. (mm-H ₂ O)	Noise (dBA)	Speed (RPM)	Current (mA)	Power (W)	Available Bearing	Curves
FA2589B11T7C-51	115	50/60	443.0/525.0	8.6/9.8	49.0/53.0	1,400/1,700	350/360	38/40	B	①/②
FA2589B22T7C-51	230	50/60	445.0/529.0	8.6/9.8	49.0/53.0	1,400/1,700	190/180	39/40	B	①/②

• For "Wire Lead" version, change the "T" in the model number to "W".

Specifications are subject to change without notice



AC Axial Fans



unit: mm(inch)