

AC INFINITY

CLOUDLAB SERIES ADVANCE GROW TENT

USER MANUAL

WELCOME

Thank you for choosing AC Infinity. We are committed to product quality and friendly customer service. If you have any questions or suggestions, please don't hesitate to [contact](#) us. Visit www.acinfinity.com and click contact for our contact information.

EMAIL

support@acinfinity.com

WEB

www.acinfinity.com

LOCATION

Los Angeles, CA

PRODUCT	MODEL	UPC-A
CLOUDLAB 422	AC-CBA422	819137021532
CLOUDLAB 632	AC-CBA632	819137021556
CLOUDLAB 642	AC-CBA642	819137021549
CLOUDLAB 733	AC-CBA733	819137021563
CLOUDLAB 722	AC-CBA722	819137022102
CLOUDLAB 844	AC-CBA844	819137021570
CLOUDLAB 866	AC-CBA866	819137021587
CLOUDLAB 816	AC-CBA816	819137021884
CLOUDLAB 811	AC-CBA811	819137021877
CLOUDLAB 899	AC-CBA899	819137021860
CLOUDLAB 894	AC-CBA894	819137021853
CLOUDLAB 632D	AC-CBD632	819137022089
CLOUDLAB 743D	AC-CBD743	819137022096
CLOUDLAB 864D	AC-CBD864	819137022140

MANUAL INDEX

Manual Index	Page 5
Key Features	Page 6
Product Contents	Page 7
Tent Set Up	Page 10
Controller Plate Set Up	Page 27
Mounting Guide	Page 29
Ventilation Guide	Page 30
Configuration Setup	Page 31
AC Infinity Grow System	Page 32
Other AC Infinity Products	Page 33
Warranty	Page 34

KEY FEATURES

HIGH-DENSITY CANVAS

Mylar canvas with 2000D density rating to be 100% external lightproof. Diamond-patterned interior lining amplifies reflectivity.

VIEWING WINDOW

Clear and adjustable window offers you a snapshot of the interior without compromising your environment.

DUCTWORK ACCESS

Double cinching ports secure your flexible ducting tubes on both sides of the tent to streamline airflow routing.

HEAVY-DUTY FRAME

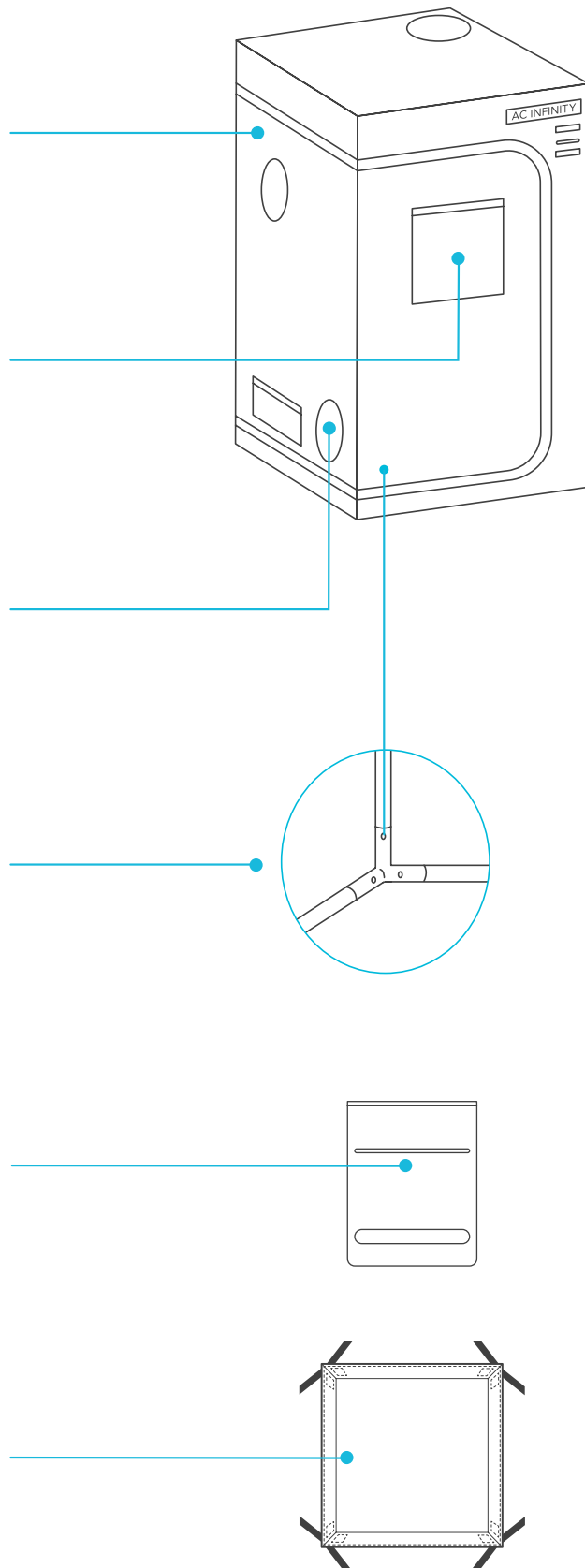
Thick 22mm steel tubes and connectors provide the tent with a sturdy structure. Can carry fans and lights up to 150 pounds.

CONTROLLER PLATE

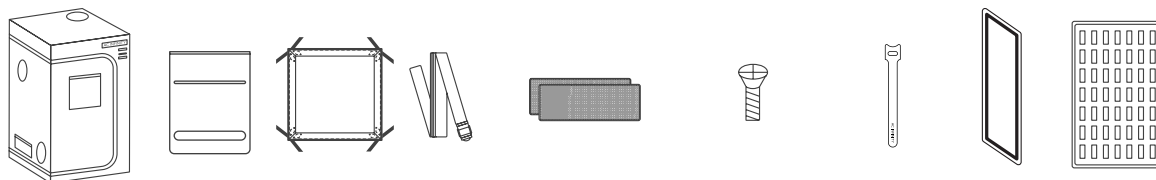
Steel plate designed to mount fan and lighting controllers. Their cords can enter the tent securely through the plate's opening.

SPILL TRAY

Reflective waterproof lining that catches water, soil, and other debris to prevent leakage in the grow tent.



PRODUCT CONTENTS



CLOUDLAB SERIES	Canvas Tent	Controller Plate	Spill Tray	Filter Straps	Controller Velcro	Controller Screws	Velcro Ties	Mylar Wall	Drying Rack
CLOUDLAB 422	x1	x1	x1	x2	x6	x6	x4	N/A	N/A
CLOUDLAB 632	x1	x1	x1	x2	x6	x6	x4	N/A	N/A
CLOUDLAB 642	x1	x1	x1	x2	x6	x6	x4	N/A	N/A
CLOUDLAB 722	x1	x1	x1	x2	x6	x6	x4	N/A	N/A
CLOUDLAB 733	x1	x1	x1	x2	x6	x6	x4	N/A	N/A
CLOUDLAB 844	x1	x1	x1	x2	x6	x6	x4	N/A	N/A
CLOUDLAB 866	x1	x1	x1	x2	x6	x6	x4	N/A	N/A
CLOUDLAB 816	x1	x2	x1	x2	x12	x12	x4	N/A	N/A
CLOUDLAB 811	x1	x2	x2	x4	x12	x12	x4	N/A	N/A
CLOUDLAB 899	x1	x2	x2	x4	x12	x12	x4	N/A	N/A
CLOUDLAB 894	x1	x2	x1	x2	x12	x12	x4	N/A	N/A
CLOUDLAB 632D	x1	x1	x3	x2	x6	x6	x4	x1	x1
CLOUDLAB 743D	x1	x1	x3	x2	x6	x6	x4	x1	x1
CLOUDLAB 864D	x1	x1	x3	x2	x6	x6	x4	x1	x1

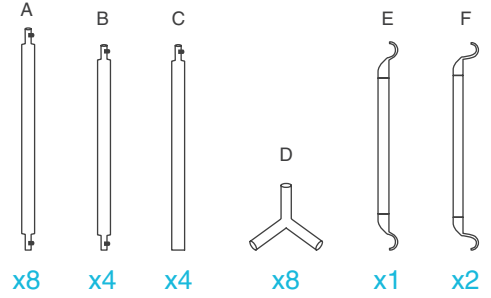
PRODUCT CONTENTS

CLOUDLAB SERIES Included only with

CLOUDLAB 422 AC-CBA422

CLOUDLAB 722 AC-CBA722

PAGE 10-14, 27-29
For Setup Instructions

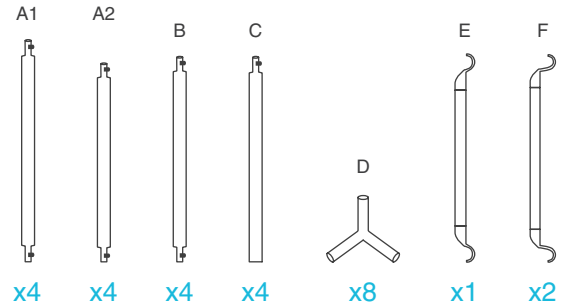


FRAME POLES

CLOUDLAB SERIES Included only with

CLOUDLAB 632 AC-CBA632

PAGE 10-14, 27-29
For Setup Instructions

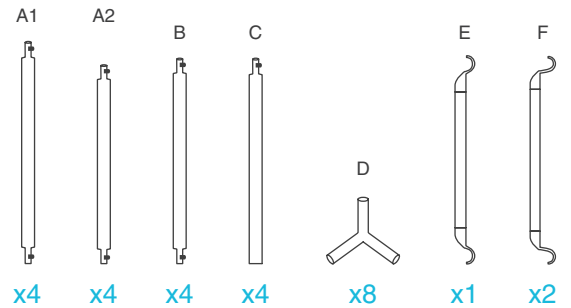


FRAME POLES

CLOUDLAB SERIES Included only with

CLOUDLAB 642 AC-CBA642

PAGE 10-14, 27-29
For Setup Instructions



FRAME POLES

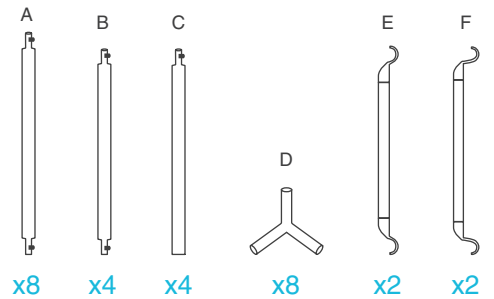
CLOUDLAB SERIES Included only with

CLOUDLAB 733 AC-CBA733

CLOUDLAB 844 AC-CBA844

CLOUDLAB 866 AC-CBA866

PAGE 10-14, 27-29
For Setup Instructions



FRAME POLES

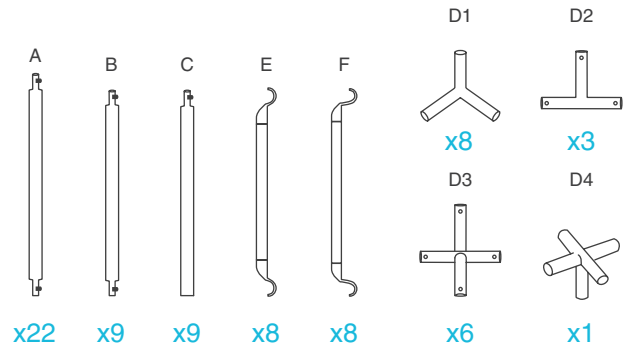
PRODUCT CONTENTS

CLOUDLAB SERIES Included only with

CLOUDLAB 899 AC-CBA899

CLOUDLAB 811 AC-CBA811

PAGE 19-22, 27-29
For Setup Instructions



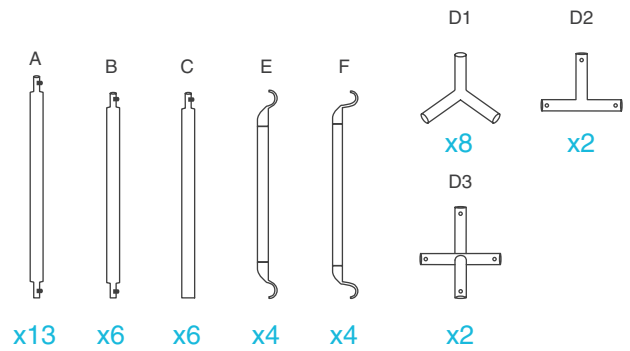
FRAME POLES

CLOUDLAB SERIES Included only with

CLOUDLAB 894 AC-CBA894

CLOUDLAB 816 AC-CBA816

PAGE 15-18, 27-29
For Setup Instructions



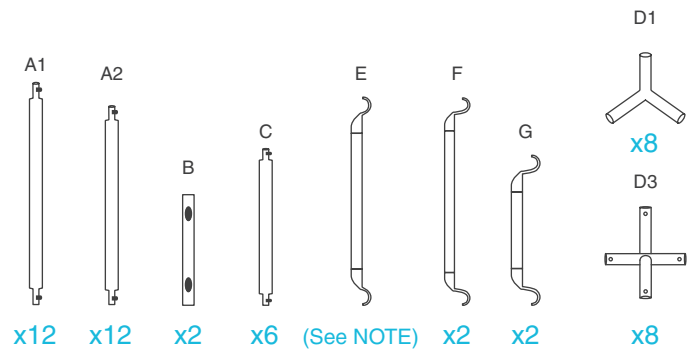
FRAME POLES

CLOUDLAB SERIES Included only with

CLOUDLAB 632D AC-CBD632

CLOUDLAB 864D AC-CBD864

PAGE 23-29
For Setup Instructions



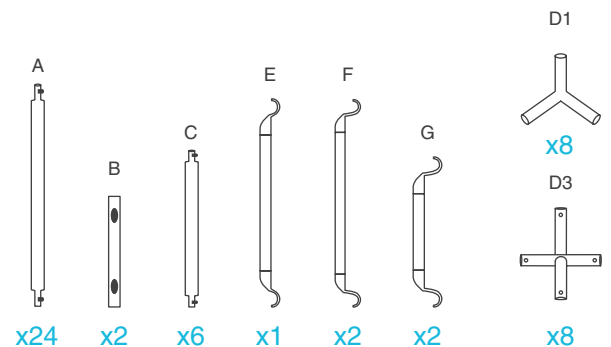
NOTE: AC-CBD632 model has (x1 "E" Roof Bar)
AC-CBD864 model has (x2 "E" Roof Bar)

FRAME POLES

CLOUDLAB SERIES Included only with

CLOUDLAB 743D AC-CBD743

PAGE 23-29
For Setup Instructions



FRAME POLES

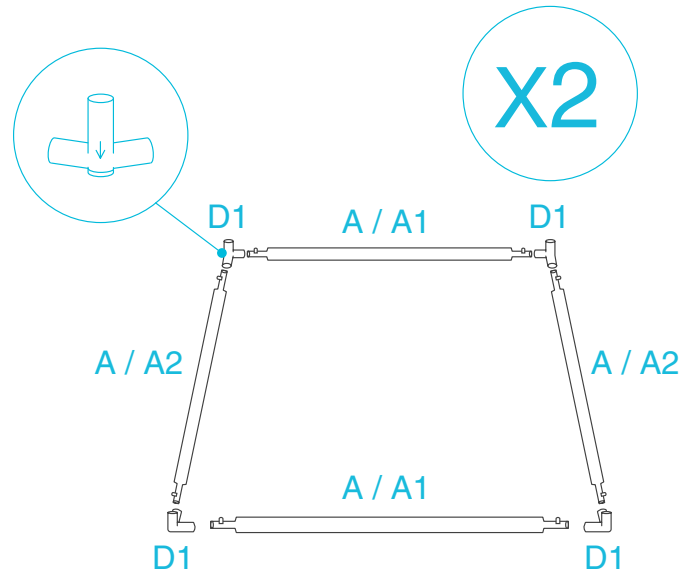
TENT SETUP

CLOUDLAB 422 / 632 / 642 / 722 / 733 / 844 / 866

STEP 1

Insert the eight (A) poles into the floor end of the corner (D1) pieces to create two bases.

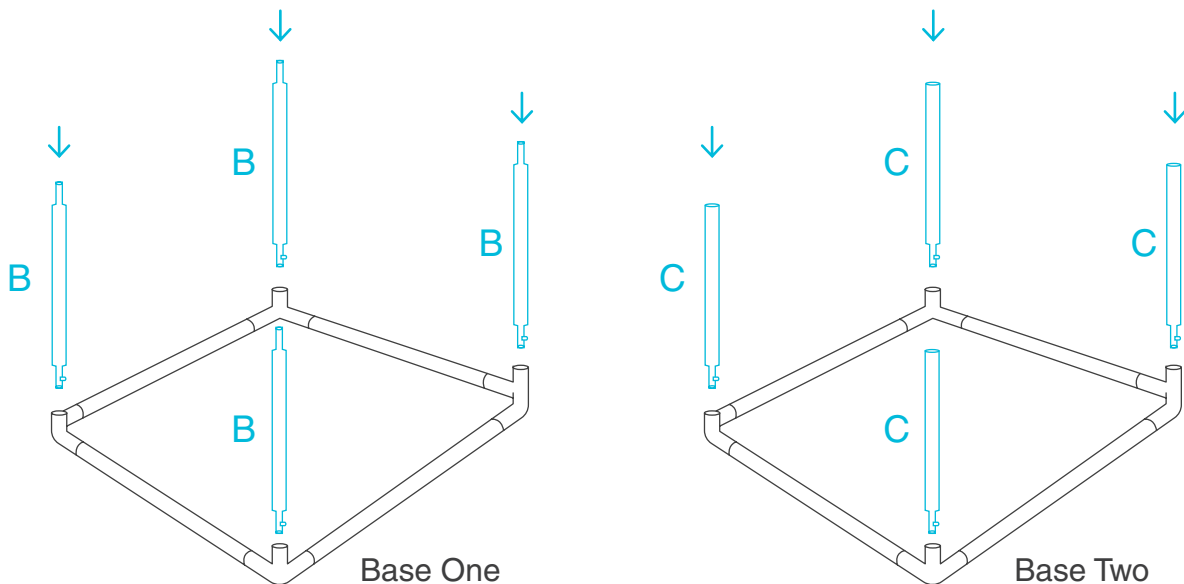
When assembling, make sure the feet of each corner (D1) piece faces the floor with the arrow facing down.



NOTE: Poles in models AC-CBA632 and AC-CBA642 are labeled A1 & A2.

STEP 2

Insert the four (B) poles into Base One.
Insert the four (C) poles into Base Two.

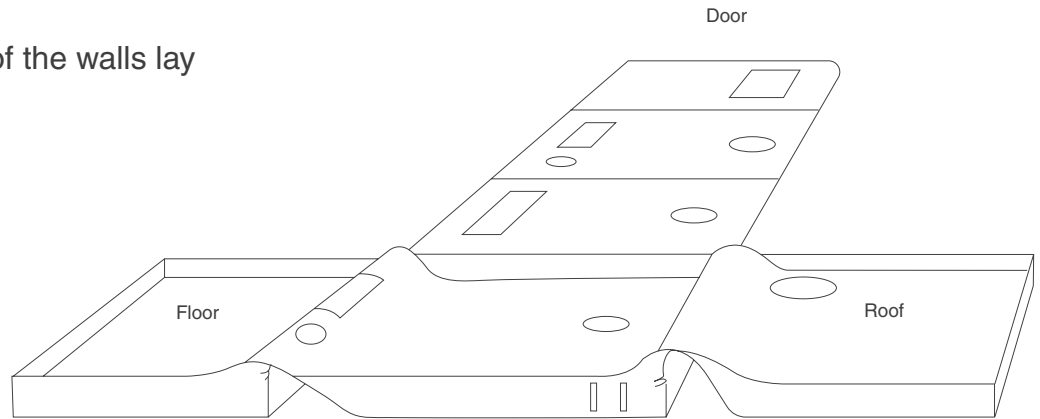


TENT SETUP

CLOUDLAB 422 / 632 / 642 / 722 / 733 / 844 / 866

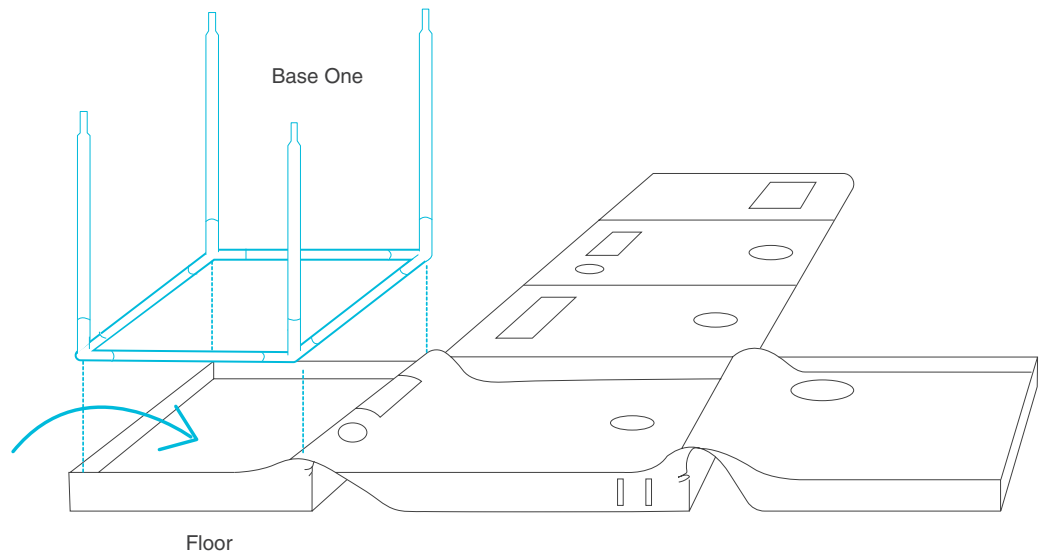
STEP 3

Unzip the tent so that three of the walls lay flat.



STEP 4

Guide Base One into the floor of the tent, making sure its corners meet the tent's corners.

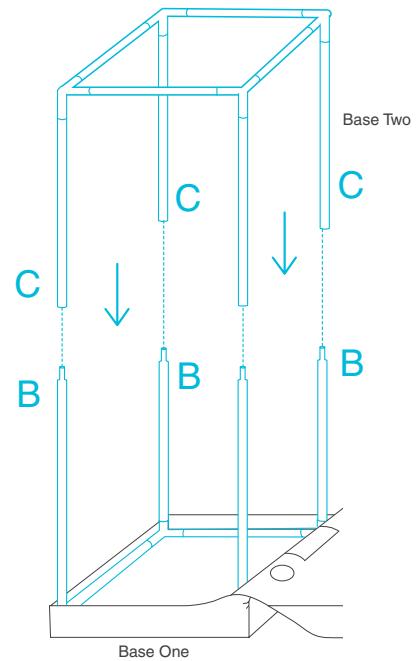


TENT SETUP

CLOUDLAB 422 / 632 / 642 / 722 / 733 / 844 / 866

STEP 5

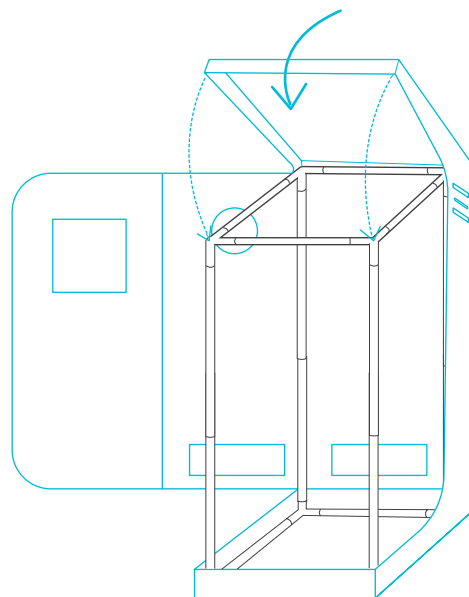
Insert the poles of Base Two into the poles of Base One to complete the frame.



*Two people is recommended for this portion of the tent assembly.

STEP 6

Pull the roof over the assembled frame.



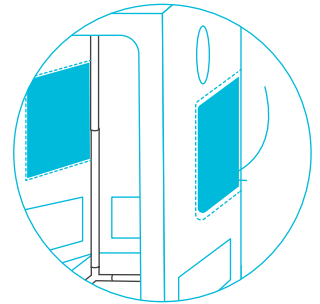
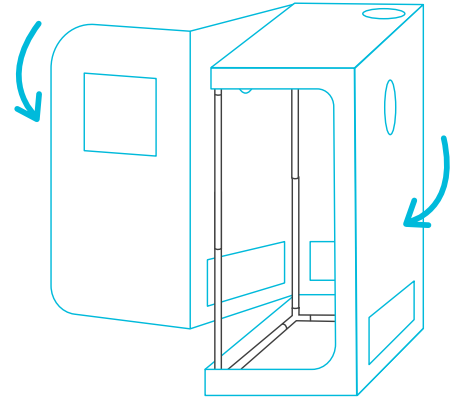
*Two people is recommended for this portion of the tent assembly.

TENT SETUP

CLOUDLAB 422 / 632 / 642 / 722 / 733 / 844 / 866

STEP 7

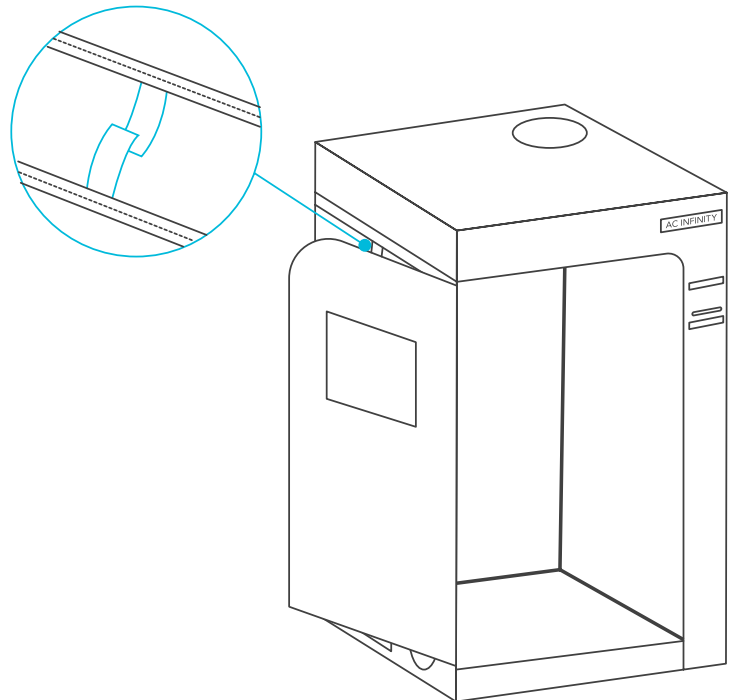
Pull the upper and lower zippers to close the walls and door.



*CLOUDLAB 733 / 844 / 866 has additional side door for ease of access.

STEP 8

You can neatly hold the window wall open any time by using its attached Velcro strap.

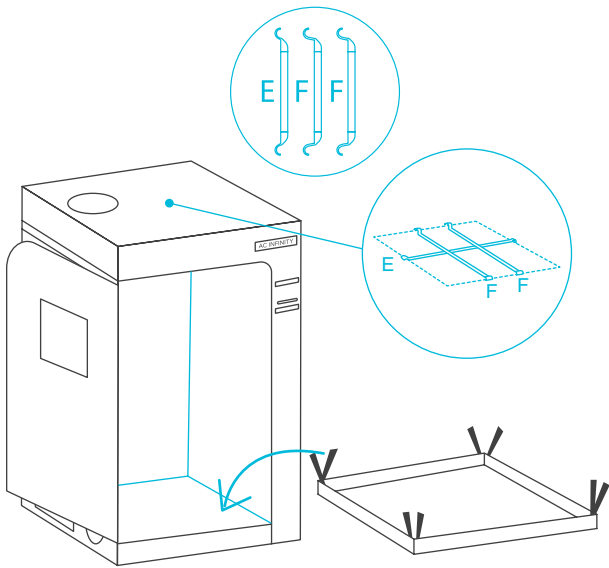


TENT SETUP

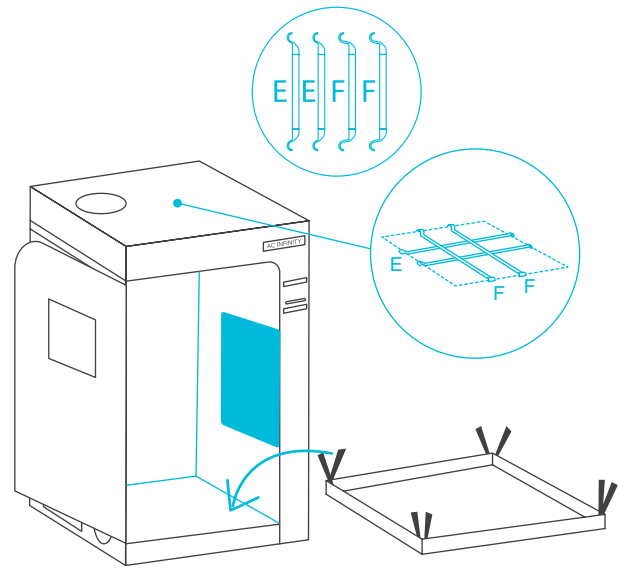
CLOUDLAB 422 / 632 / 642 / 722 / 733 / 844 / 866

STEP 9

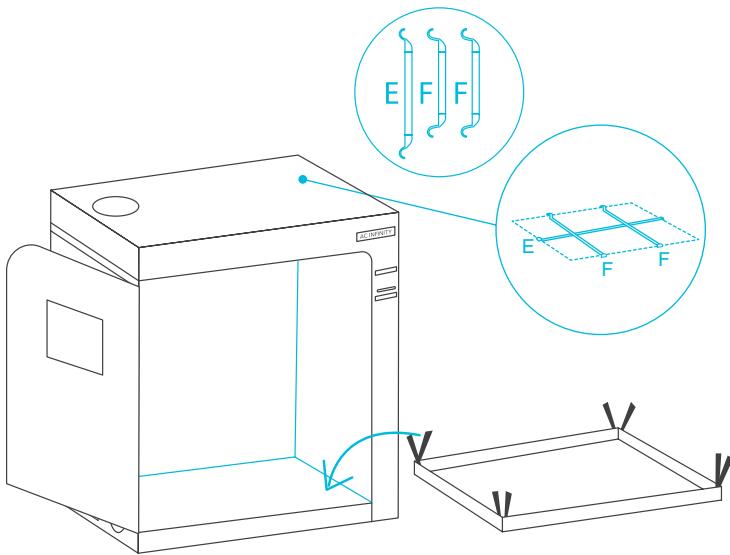
Add the roof support beams (E) then (F).
Insert the spill pool into the tent and secure the Velcro straps around the poles.



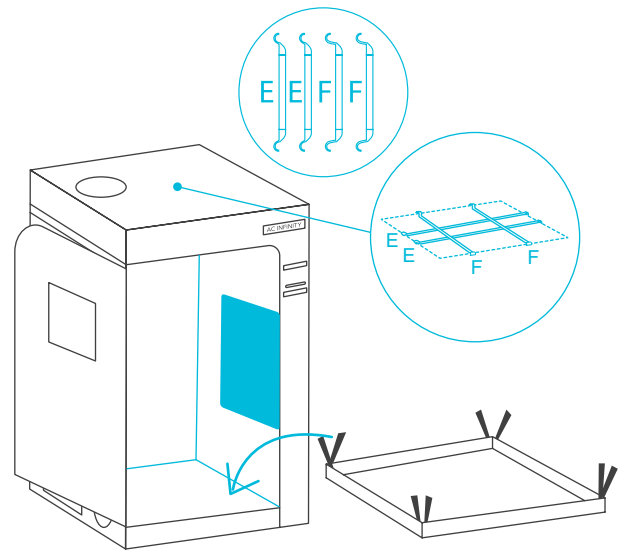
CLOUDLAB 422,722, 632



CLOUDLAB 733



CLOUDLAB 642



CLOUDLAB 844, 866

*CLOUDLAB 733 / 844 / 866 has additional side door for ease of access.

TENT SETUP

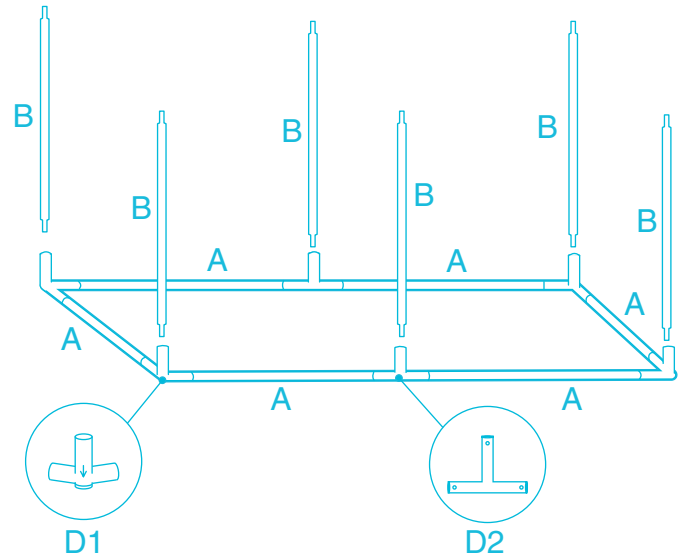
CLOUDLAB 816 / 894

STEP 1

Insert six (A) poles into the floor end of the corner (D1) pieces and 3-way (D2) connectors to create the base.

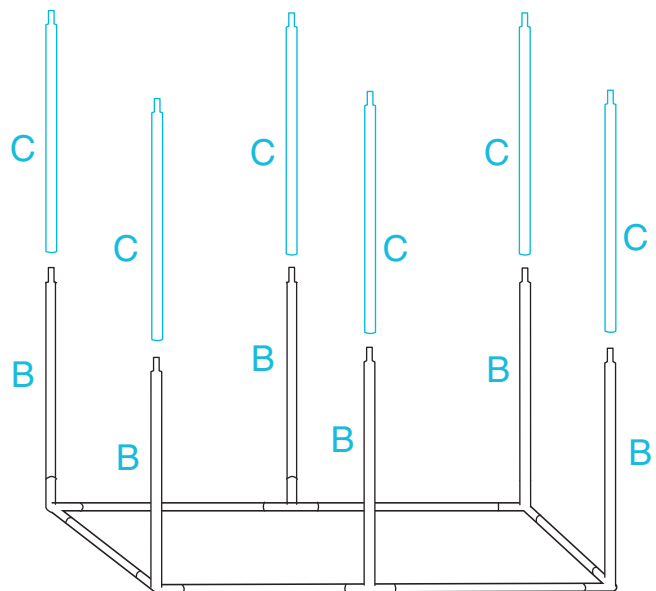
Insert the six (B) poles into the corner (D1) pieces and the two 3-way (D2) connectors.

When assembling, make sure the feet of each corner (D1) piece faces the floor with the arrow facing down.



STEP 2

Insert the six (C) poles into the six (B) poles.



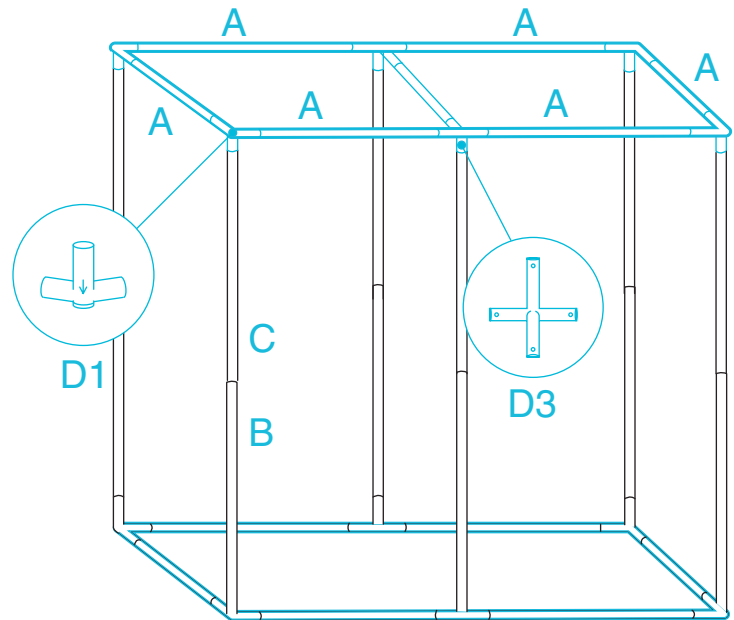
TENT SETUP

CLOUDLAB 816 / 894

STEP 3

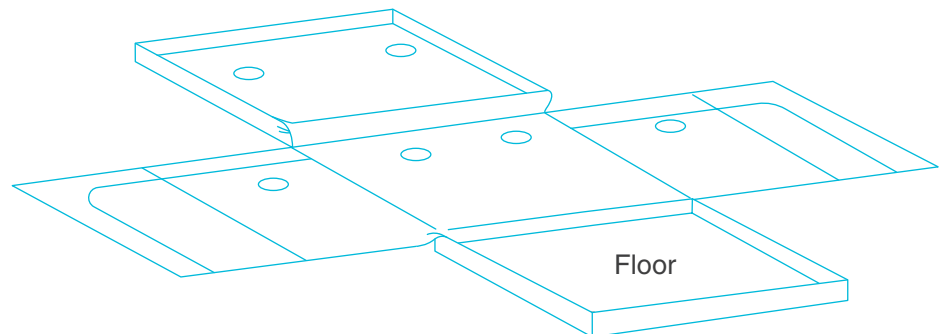
Insert four corner (D1) pieces into the corner (C) poles and the two 4-way (D3) connectors into the middle (C) poles.

Insert six (A) poles in between the corner (D1) pieces and 4-way (D3) connectors.



STEP 4

Unzip the tent so that it lays flat.

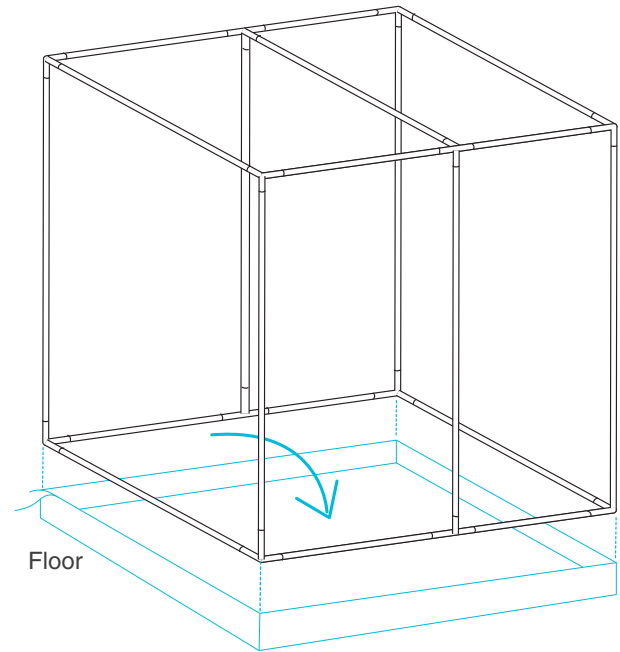


TENT SETUP

CLOUDLAB 816 / 894

STEP 5

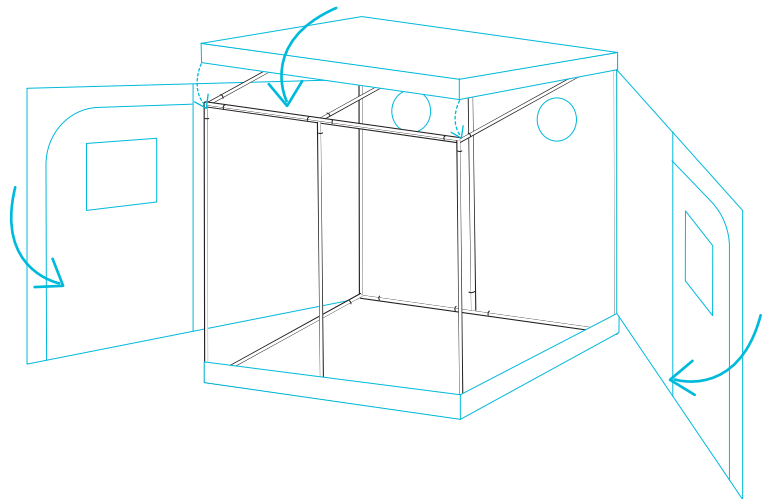
Guide the completed frame into the floor of the tent, making sure its corners meet the tent's corners.



*Two people is recommended for this portion of the tent assembly.

STEP 6

Pull the roof over the assembled frame. Pull the upper and lower zippers to close the walls.



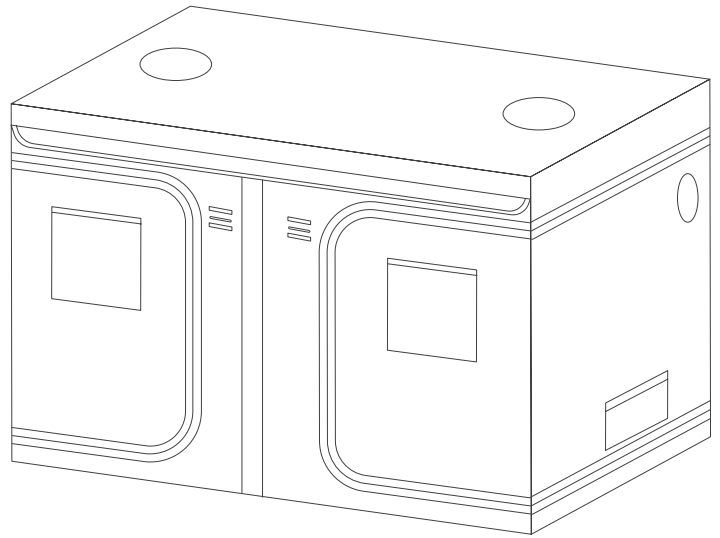
*Two people is recommended for this portion of the tent assembly.

TENT SETUP

CLOUDLAB 816 / 894

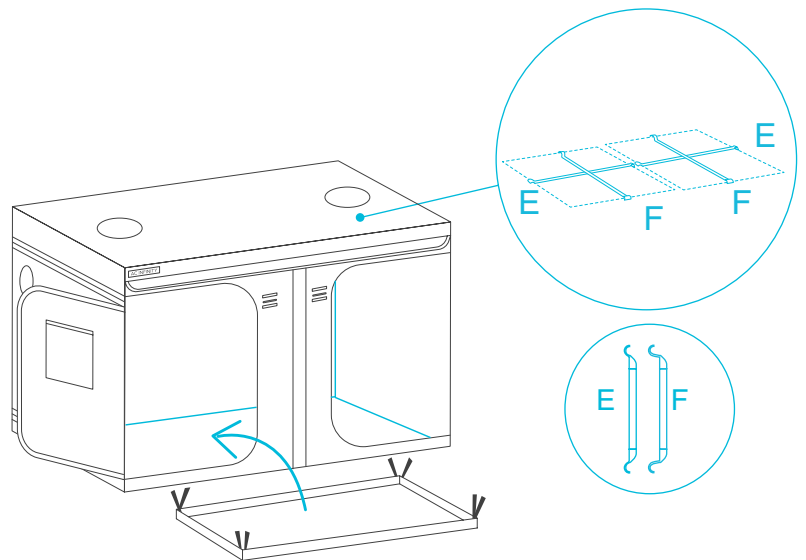
STEP 7

Latch both walls together in the center and pull the zipper down, making sure the front flaps are over the walls.



STEP 8

Add the roof support beams (E) then (F). Insert the spill pool into the tent and secure the Velcro straps around the poles.



TENT SETUP

CLOUDLAB 811 / 899

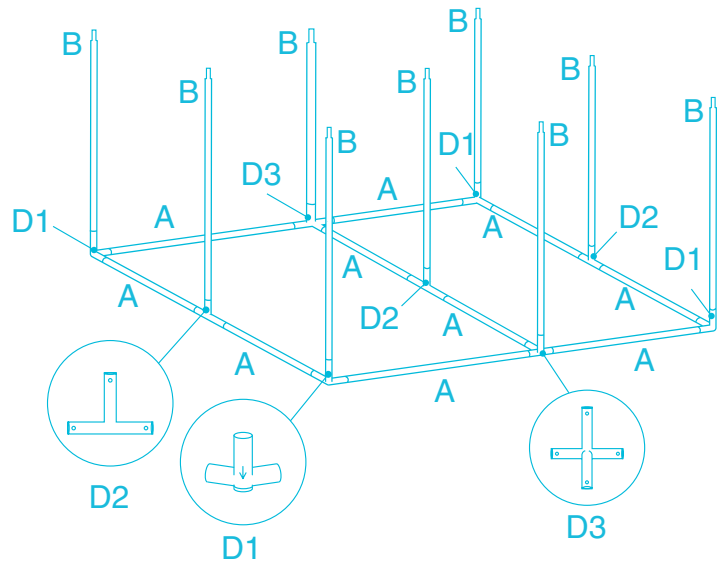
STEP 1

Insert ten (A) poles into the floor end of the corner (D1) pieces, 3-way (D2) connectors, and 4-way (D3) connectors to create the base.

Two of the ten (A) poles will be set in the center, attached by a third 3-way (D2) connector.

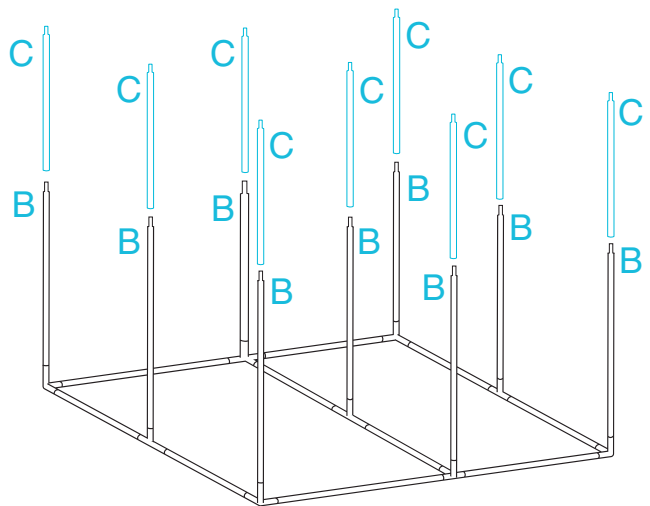
Insert the nine (B) poles into the corner (D1) pieces and the (D2) and (D3) connectors.

When assembling, make sure the feet of each corner (D1) piece faces the floor with the arrow facing down.



STEP 2

Insert the nine (C) poles into the nine (B) poles.



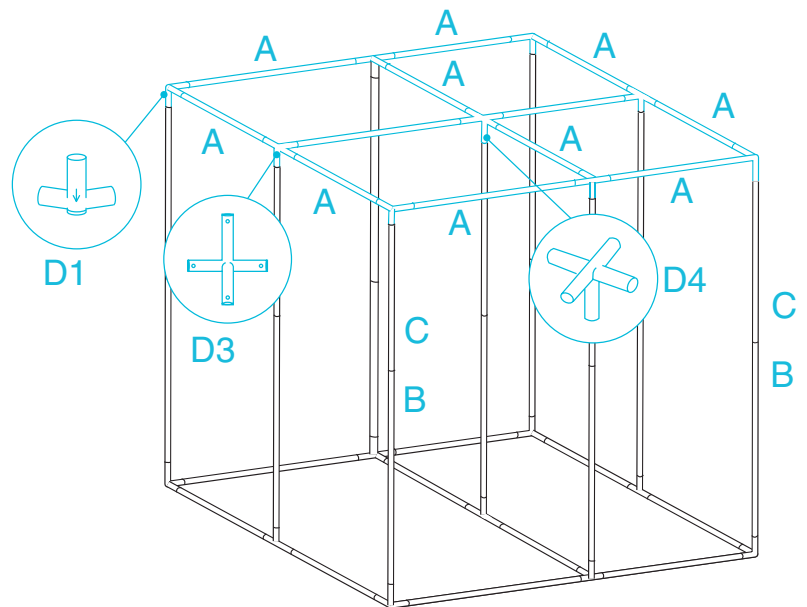
TENT SETUP

CLOUDLAB 811 / 899

STEP 3

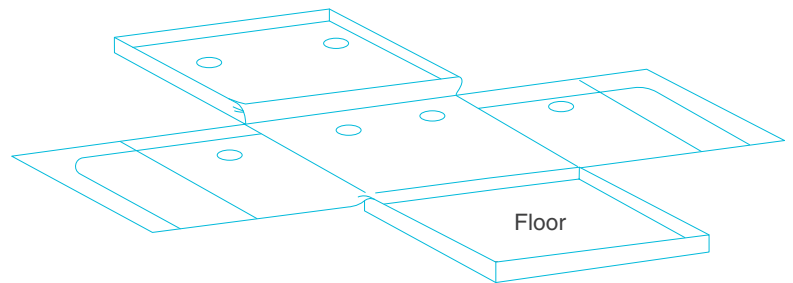
Insert four corner (D1) pieces into the corner (C) poles, four 4-way (D3) connectors into the middle (C) poles, and the 5-way (D4) connector into the center (C) pole.

Insert twelve Group (A) poles in between the corner (D1) pieces and 4-way (D3) connectors.



STEP 4

Unzip the tent so that it lays flat.

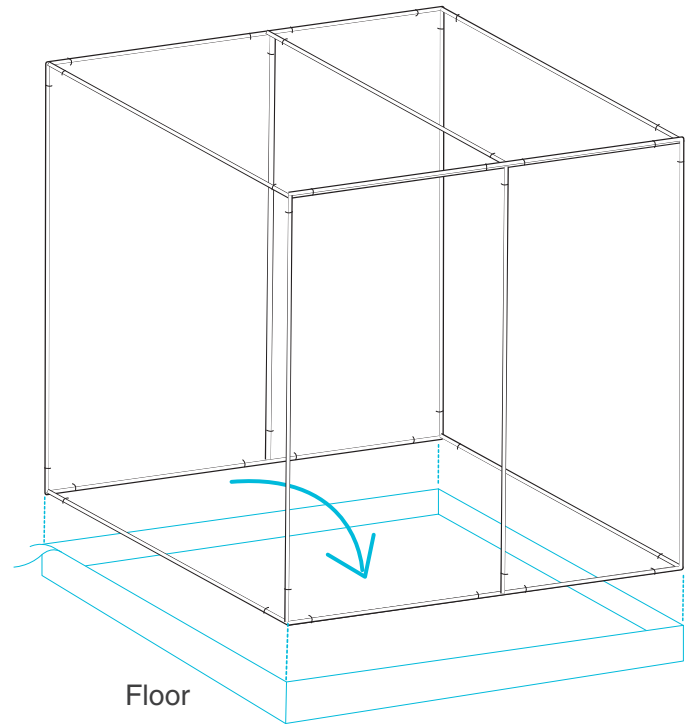


TENT SETUP

CLOUDLAB 811 / 899

STEP 5

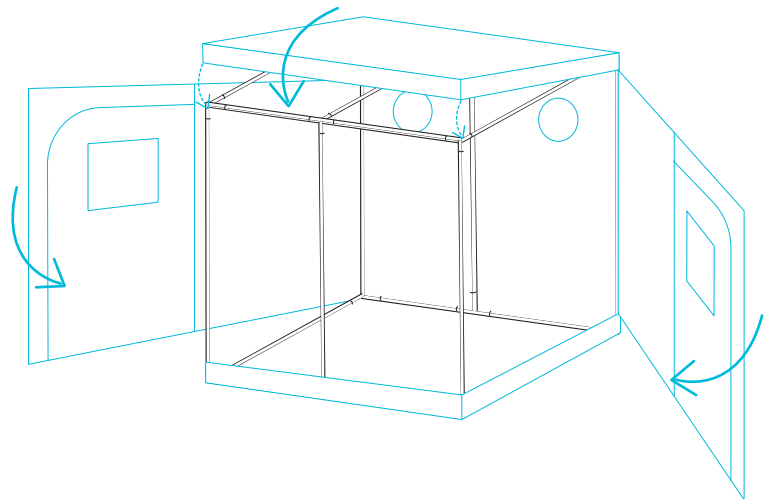
Guide the completed frame into the floor of the tent, making sure its corners meet the tent's corners.



*Two people is recommended for this portion of the tent assembly.

STEP 6

Pull the roof over the assembled frame. Pull the upper and lower zippers to close the walls.



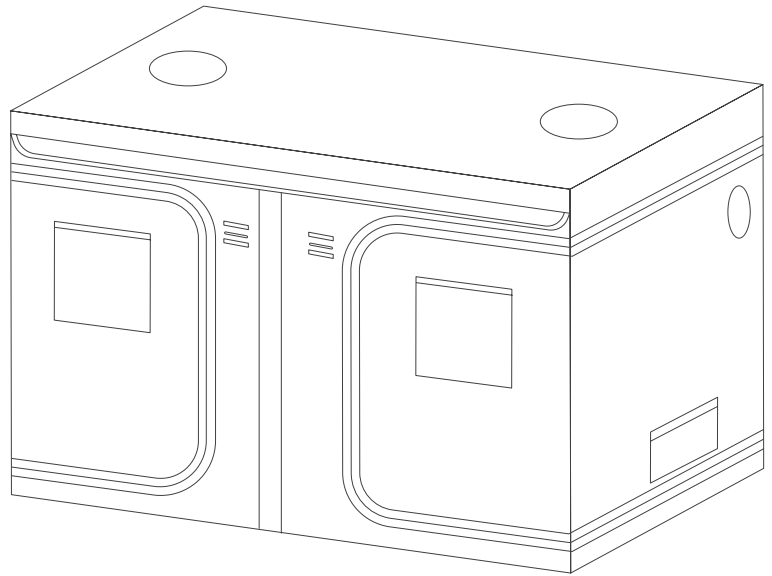
*Two people is recommended for this portion of the tent assembly.

TENT SETUP

CLOUDLAB 811 / 899

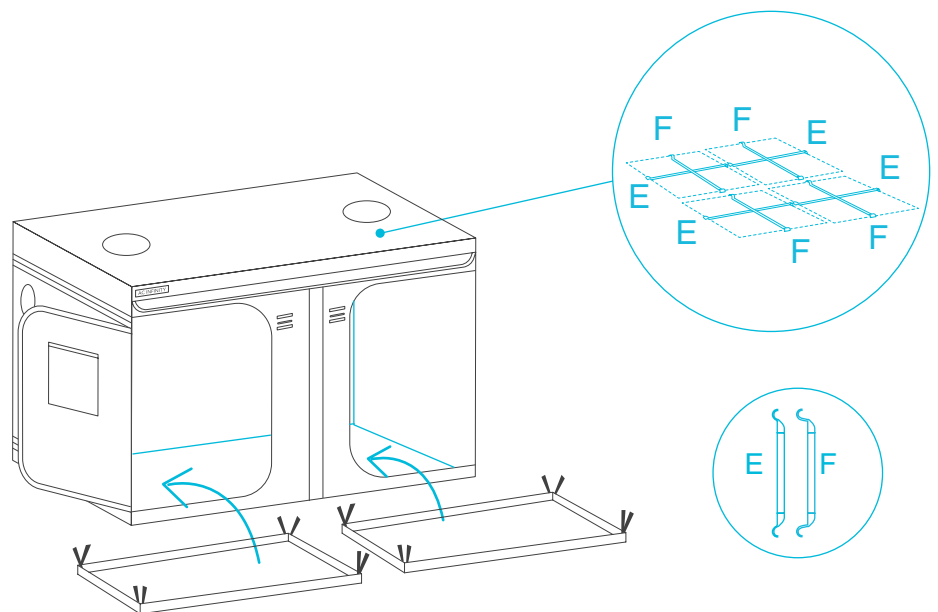
STEP 7

Latch both walls together in the center and pull the zipper down, making sure the front flaps are over the walls.



STEP 8

Add the roof support beams (E) then (F). Insert the spill pool into the tent and secure the Velcro straps around the poles.



TENT SETUP

CLOUDLAB 632D / 743D / 864D

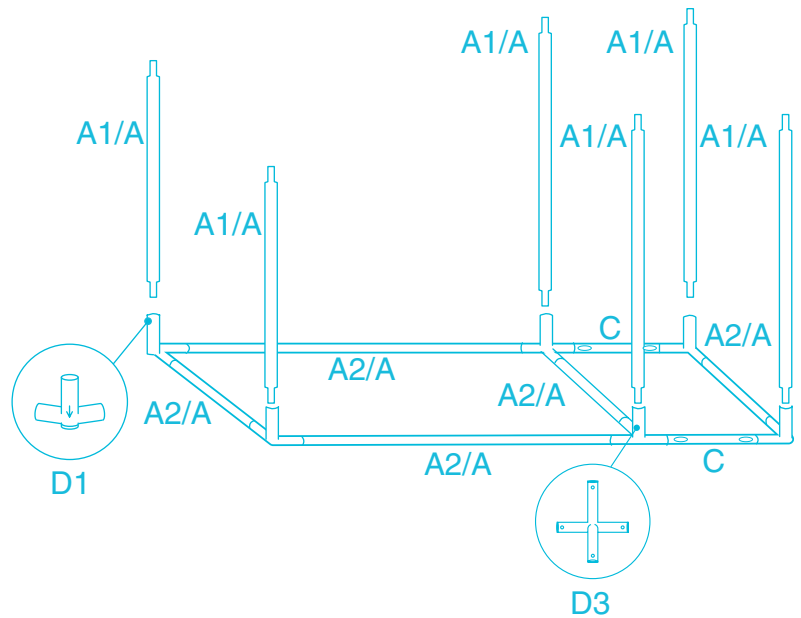
STEP 1

Insert four (A2/A) poles in between two corner (D1) pieces and two 4-way (D3) connectors. Then insert two (C) poles to the two 4-way (D3) connectors.

Insert an (A2/A) pole to two corner (D1) pieces and connect them to the two (C) poles to complete the base.

Insert six (A1/A) poles into the corner (D1) pieces and the two 4-way (D3) connectors.

When assembling, make sure the feet of each corner piece faces the floor with the arrow facing down.

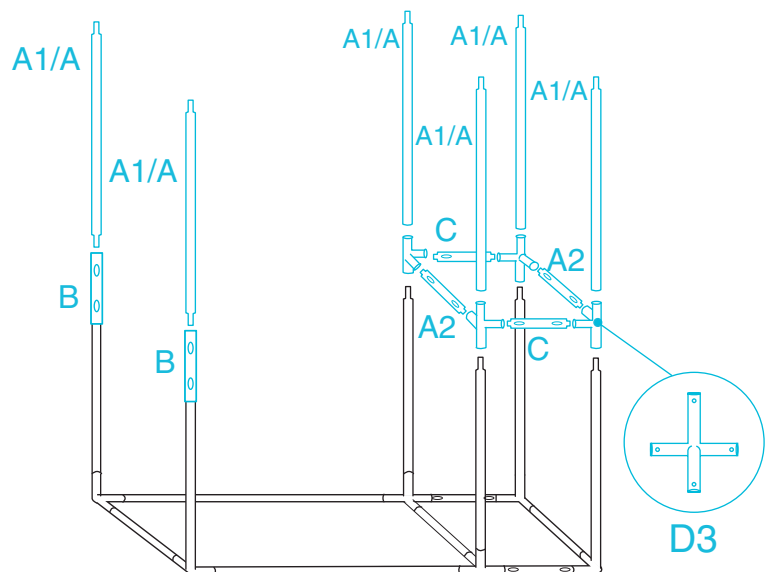


*(A) poles apply to model AC-CBA743D only

STEP 2

Insert four 4-way (D3) connectors into the four (A1/A) poles, connecting two (A2) and (C) poles between the connectors as shown here. Insert the two (B) pieces into the remaining two (A1/A) poles.

Insert six (A1/A) poles into the four 4-way (D3) connectors and two (B) pieces.



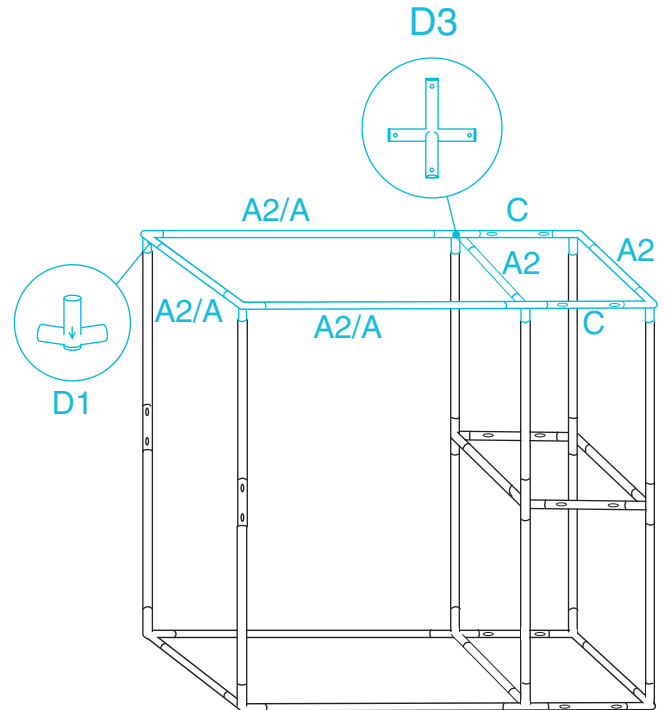
TENT SETUP

CLOUDLAB 632D / 743D / 864D

STEP 3

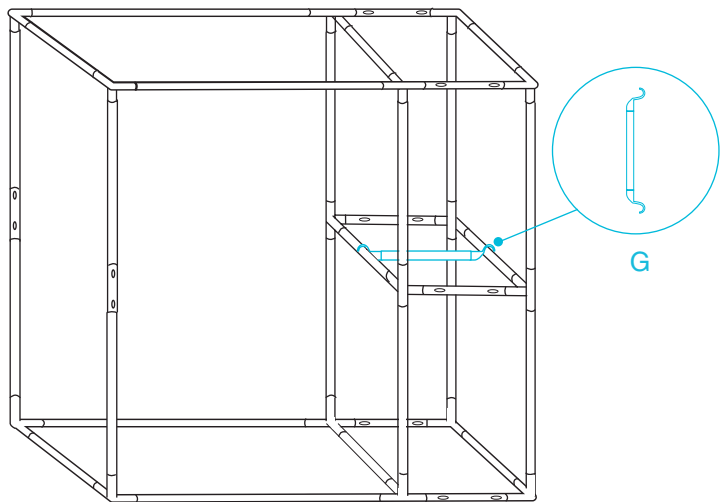
Insert the remaining four corner (D1) pieces and two 4-way (D3) connectors into the poles.

Insert the remaining (A2/A) poles in between the connectors as shown here.



STEP 4

Add a rack (G) support beam onto the shelf.

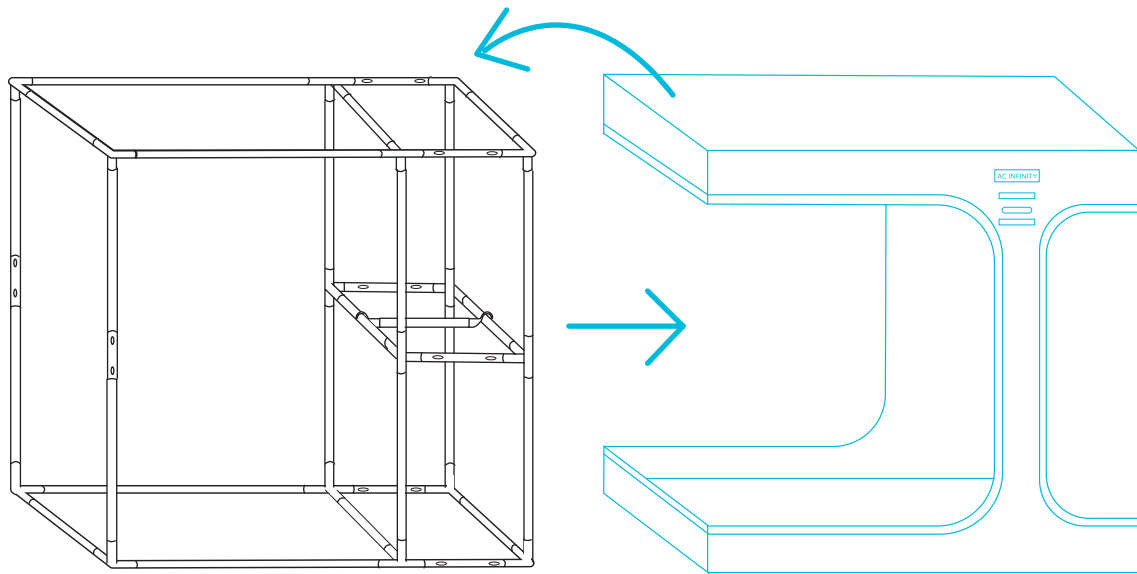


TENT SETUP

CLOUDLAB 632D / 743D / 864D

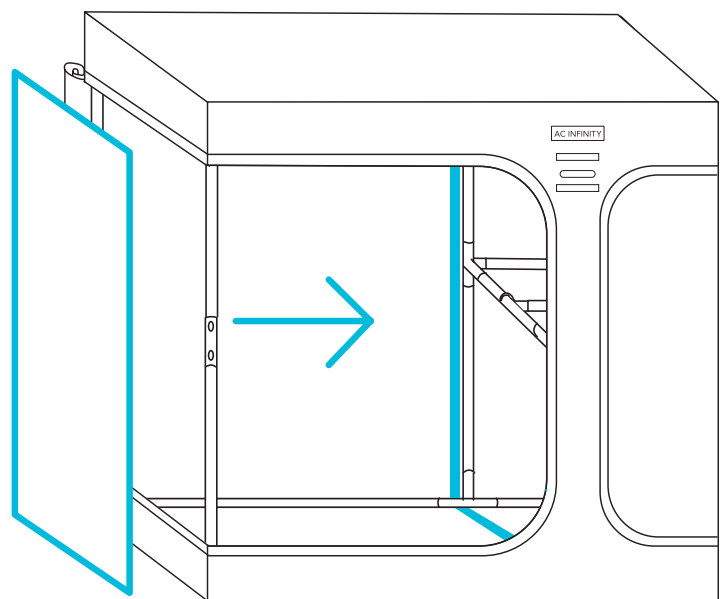
STEP 5

Guide the completed frame through the tent canvas, pulling the tent floor and the ceiling a little at a time so that the canvas properly envelops the frame.



STEP 6

Locate the Velcro strip that lines the tent interior, making sure it extends out enough to fully apply the mylar wall.

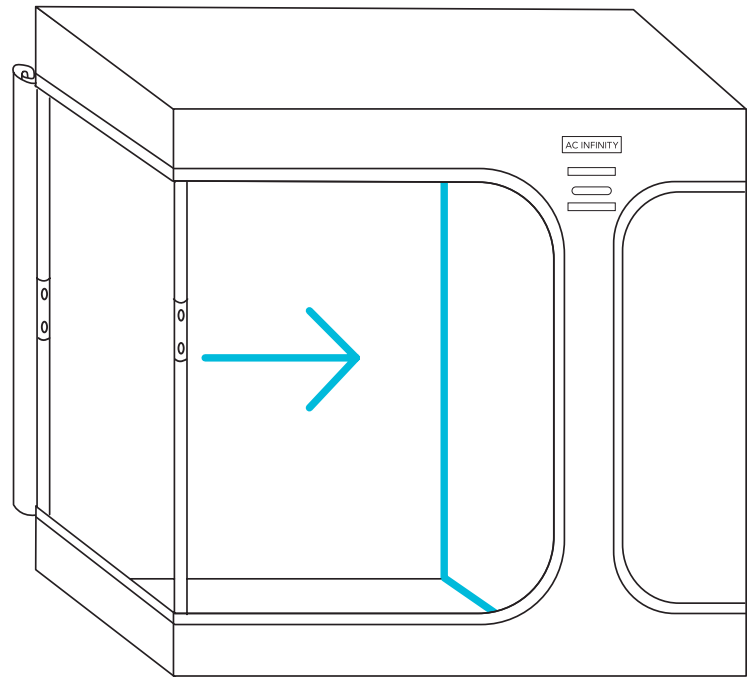


TENT SETUP

CLOUDLAB 632D / 743D / 864D

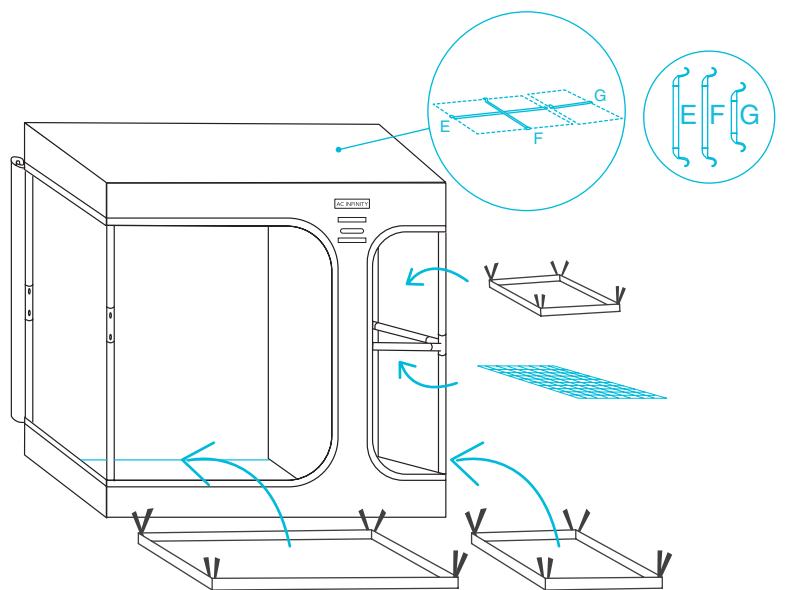
STEP 7

Apply the mylar wall using the interior Velcro to divide the two chambers. Press the wall firmly to avoid gaps.



STEP 8

Add the roof support beams (G), (E) then (F). Insert the spill pool into the tent and secure the Velcro straps around the poles. Place the drying rack on the assembled shelf. (Make sure to tie the small spill pool on top of the drying rack.)



NOTE: AC-CBD864 model has (x2 "E" Roof Bar)

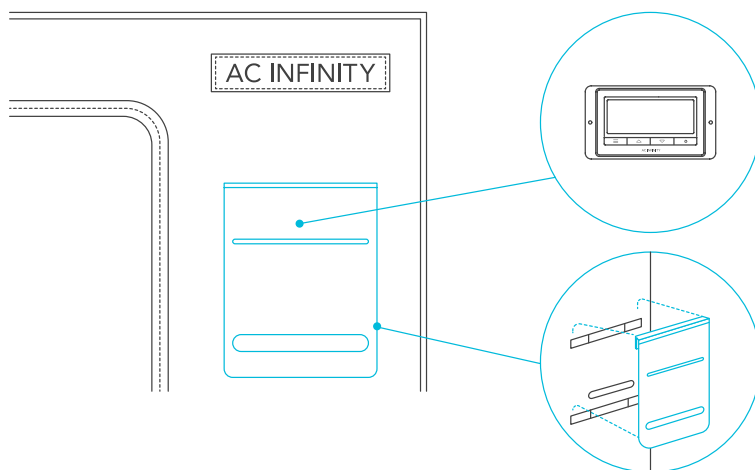
CONTROLLER PLATE SETUP

STEP 1

Mount your controller onto the included bracket.

Use the included screws to mount an AC Infinity controller. Use the Velcro adhesive to attach a non-AC Infinity controller.

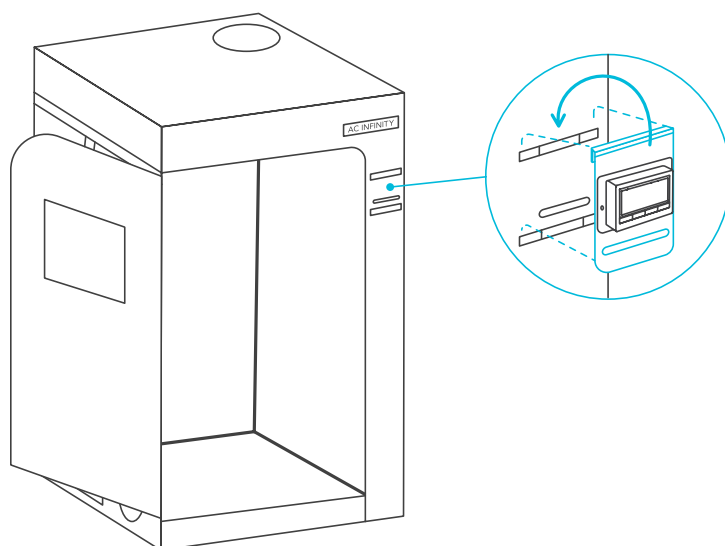
Refer to page 29 for mounting instructions of your controller.



Controller Not Included

STEP 2

Slide the controller bracket assembly into the tent straps below the logo.

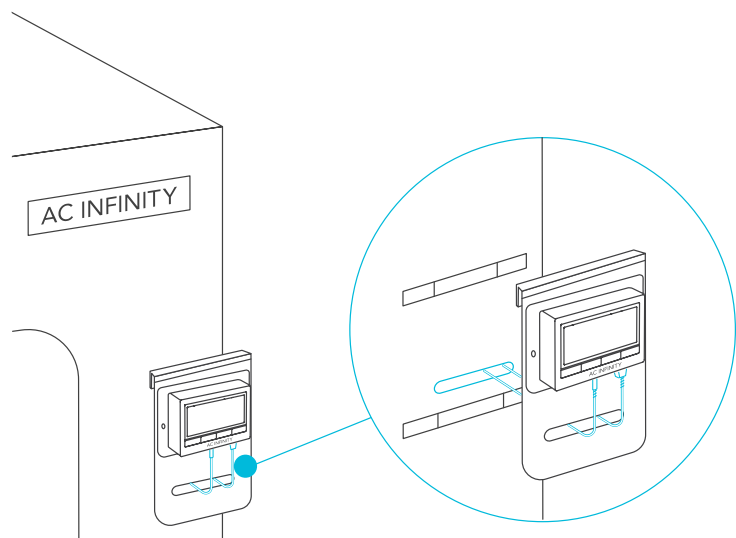


CONTROLLER PLATE SETUP

STEP 3

Route your inline duct fan's power connector through the opening inside and plug it into your controller.

Plug the probe into the controller and route its cables through the opening.



MOUNTING GUIDE

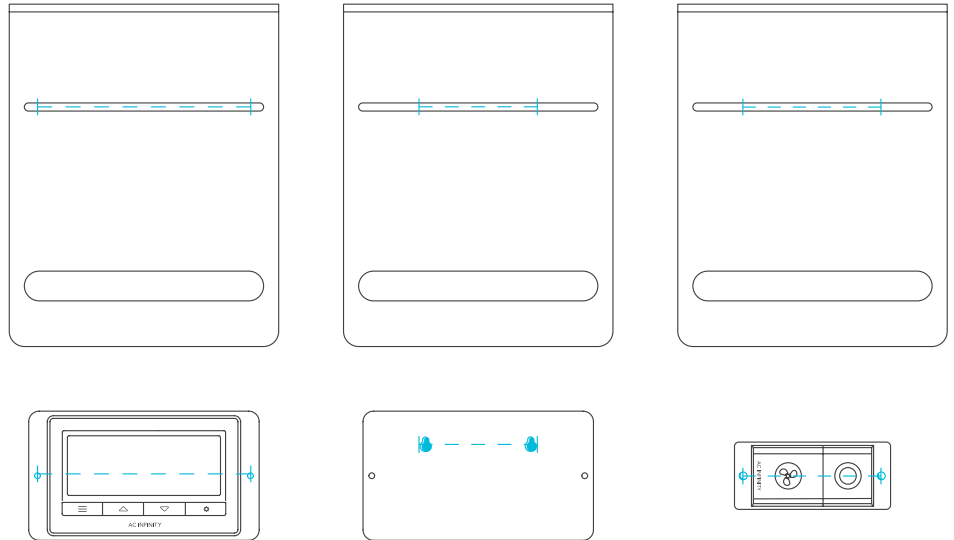
CONTROLLER PLATE

This grow tent includes a steel plate with a mounting slot for AC Infinity controllers. Mount your controller to the corresponding areas on the plate's slot. Route its wires through the oval opening and through the grow tent's flap. Some controller models may contain a hidden magnet on the backside, which can stick onto this plate without screws.

To attach a non-AC Infinity controller, use the included Velcro adhesive to hold it onto the plate.

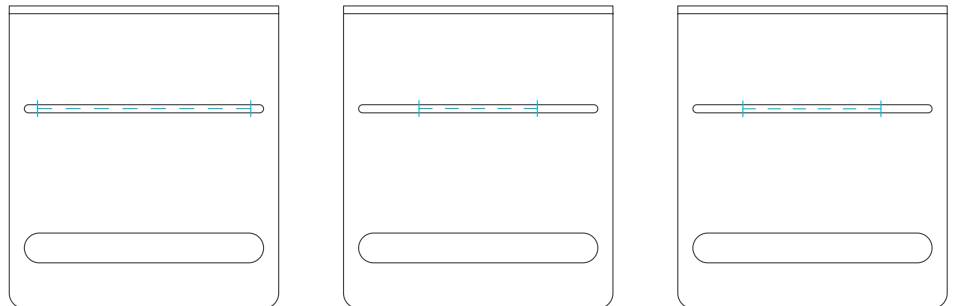
ONLY INCLUDED WITH

- CLOUDLAB 642
- CLOUDLAB 844
- CLOUDLAB 866
- CLOUDLAB 894
- CLOUDLAB 899
- CLOUDLAB 816
- CLOUDLAB 811



ONLY INCLUDED WITH

- CLOUDLAB 422
- CLOUDLAB 632
- CLOUDLAB 733
- CLOUDLAB 722
- CLOUDLAB 632D
- CLOUDLAB 743D
- CLOUDLAB 864D



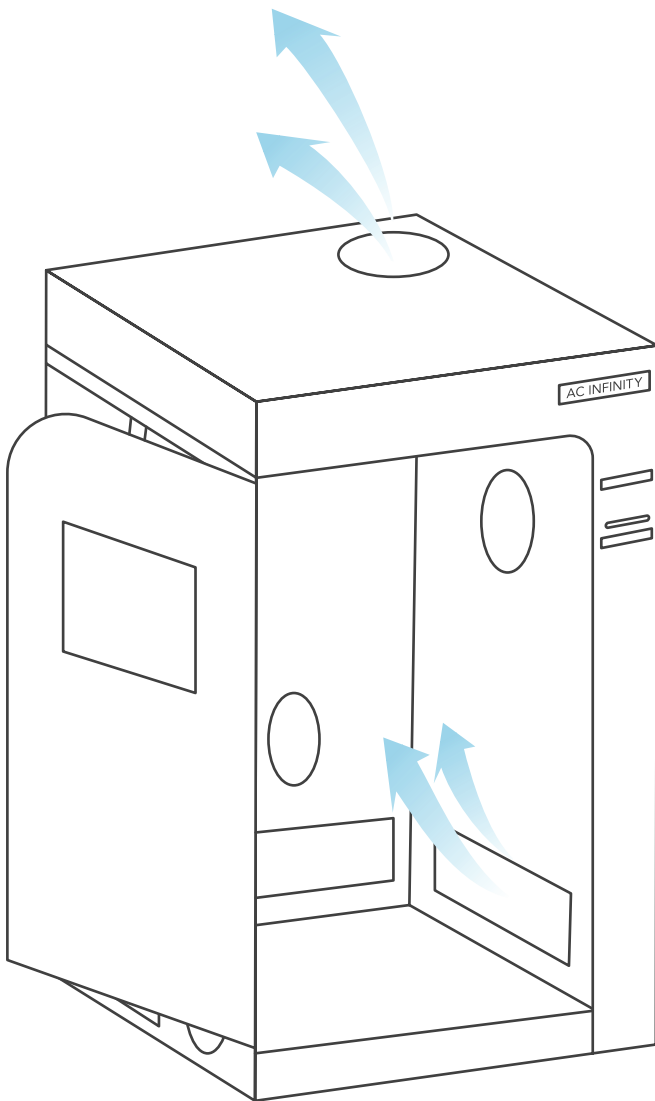
*Controllers Sold Separately

VENTILATION GUIDE

INLINE FAN AND GROW LIGHT

First hang your inline duct fan to be use as an exhaust fan by the roof support beams. Position the intake fan at the bottom end so the intake air will be passive through the bottom vents. If you are installing a carbon filter inside, use the included straps to hang the carbon filter.

Then install your grow light. You may use rope clip hangers to install these products.



DOUBLE-SIDED CINCHES

Install any necessary duct tubes onto the ducting ports. Use the cinches on either end to secure the duct tubes onto the grow tent.

INTAKE HOLES

Introduce fresh air by using one of the two ventilation holes at the bottom of the grow tent. Open a passive intake screen or create active intake by attaching an additional inline fan to a duct port.

NEED MORE INFORMATION?

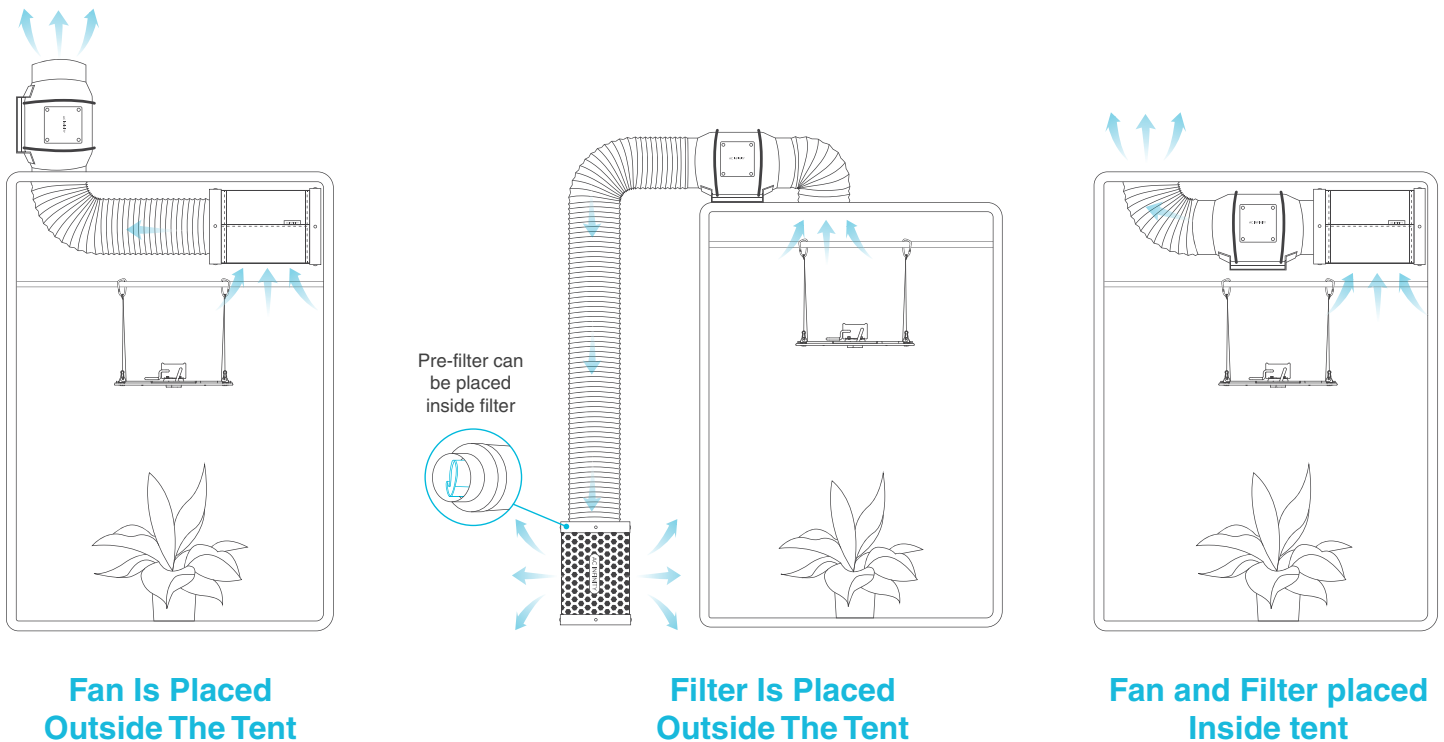
Scan the QR code or visit www.acinfinity.com for more guides and tutorials.



CONFIGURATION SETUP

LIGHT AND VENTILATION PLACEMENT

There are many ways to configure these components to bring airflow into your grow space. A typical setup places the fan and the filter inside, which makes it easier to manage while dampening the fan noise. Both can be situated in any order within the ventilation chain if air is being pulled out of your grow space.



For example, your grow lights might get in the way of your cooling equipment. In this case, you may set the fan and/or filter outside of your grow tent.

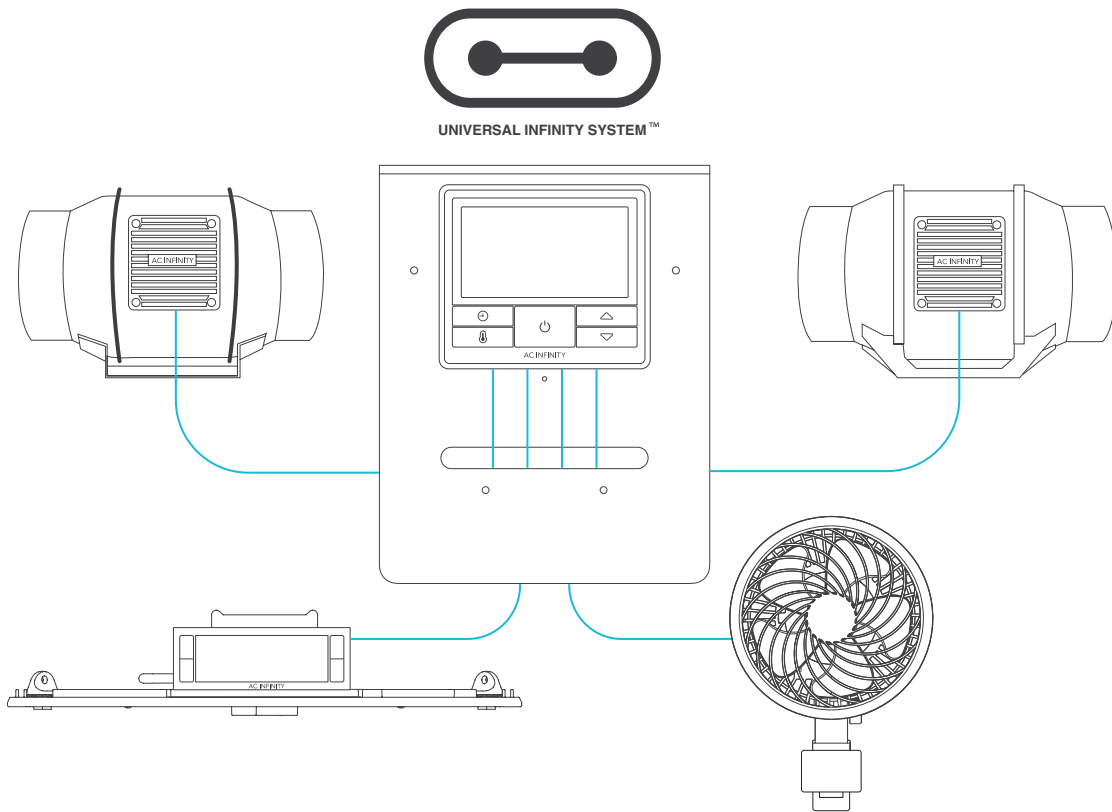
We recommend setting your extraction fan at the highest point possible. Since heat rises to the top, exhausting that hot air at that point will make the ventilation process efficient. Your carbon filter will also perform better if it's positioned at the highest point.

AC INFINITY GROW SYSTEM

An Interconnected Build

The Universal Infinity System™ is a series of controllers and devices that come together to create a fully automated system. UIS™ enables our controllers to simultaneously connect with various grow equipment such as inline fans, clip-on fans, and grow lights.

Advance UIS™ controllers can provide each connected UIS™ device with their own automated programming like temperature, humidity, cycles, schedules, and dynamic levels, while also pairing with the AC Infinity app.

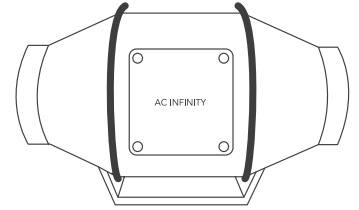


Central controllers and grow devices will be sold separately and may still be in development at the time of your purchase of this product.

AC INFINITY PRODUCTS

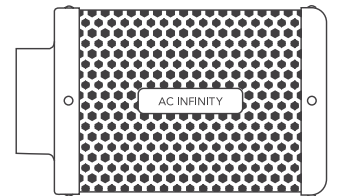
Inline Duct Fans

The CLOUDLINE series is a line of duct fans designed to quietly ventilate AV rooms and closets, as well as various DIY air circulation and exhaust projects. Features a thermal controller with intelligent programming that will automatically adjust duct fan speeds in response to changing temperatures.



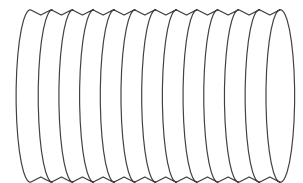
Carbon Filters

The duct carbon filter is designed to eliminate odors and chemicals for grow tents and hydroponic spaces. It utilizes premium grade Australian charcoal that features greater absorption power and a longer lifespan. Enables maximum airflow pass through as part of an intake or an exhaust system.



Duct Tubes

The four-layer ducting tube is used to direct airflow, designed for ventilation systems in applications like HVAC, dryers, and grow rooms. It is highly durable and flexible, and can be used anywhere from tight spaces to wide open areas.



WARRANTY

This warranty program is our commitment to you, the product sold by AC Infinity will be free from defects in manufacturing for a period of two years from the date of purchase. If a product is found to have a defect in material or workmanship, we will take the appropriate actions defined in this warranty to resolve any issues.

The warranty program applies to any order, purchase, receipt, or use of any products sold by AC Infinity or our authorized dealerships. The program covers products that have become defective, malfunctioned, or expressively if the product becomes unusable. The warranty program goes into effect on the date of purchase. The program will expire two years from the date of purchase. If your product becomes defective during that period, AC Infinity will replace your product with a new one or issue you a full refund.

The warranty program does not cover abuse or misuse. This includes physical damage, submersion of the product in water, incorrect installation such as wrong voltage input, and misuse for any reason other than intended purposes. AC Infinity is not responsible for consequential loss or incidental damages of any nature caused by the product. We will not warrant damage from normal wear such as scratches and dings.

For more information about our dealers and distributors, please contact our customer service at support@acinfinity.com or (626) 923-6399 Monday to Friday (9:00 am to 5:00 pm PST).



If you run into any issues with this product, contact us and we'll happily issue a replacement or a full refund!

COPYRIGHT © 2021 AC INFINITY INC. ALL RIGHTS RESERVED

No part of the materials including graphics or logos available in this booklet may be copied, photocopied, reproduced, translated or reduced to any electronic medium or machine readable form, in whole or in part, without specific permission from AC Infinity Inc.

www.acinfinity.com